



Mechanical Lifter ML Series

- In Europe, 50% pallets are under 600kg weight.
- To replace hydraulic pallet truck when under 600kg load.
- Pallets are simply lifted by pulling the handle backward (the leverage principle).
- Saves a lot of time as no pumping is required.
- Extremely low weight, about 25 kg.
- Available Ex Stock in special size can easily be carried to other floors, put into a car.
- Foldable. When not in use, it can be hung up on a hook on the wall.
- No hydraulic pump to repair, no oil can leak out, no seals to replace.
- Ideal for grocery stores, all kind of small stores, pharmaceutical industry, drug stores, offices, school, hospitals etc.



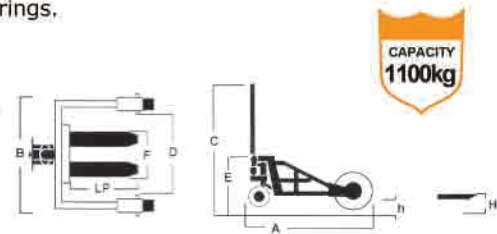
1KG=2.2LB 1INCH=25.4MM

Model		ML0308	ML0311
Rated capacity	kg	300	300
Lifting Height	mm	145	145
Min. Height	mm	85	85
Outside fork width	mm	420	420
Fork Length	mm	800	1100
Single fork width	mm	120	120
Total Height	mm	1170	1170
Steer Wheel	mm	80x40	80x40
Load Wheel	mm	80x40	80x40
Weight/GW.	kg	26/29	31/34
Packing Size	mm	1240x570x230	1380x570x230
Quantity in 1x20"	pcs	170	160



All Terrain Pallet Truck NPT Series

- **Transports loads on uneven ground**
- Strong & light tubular steel framing.
- Little maintenance required.
- Great maneuverability.
- Hydraulic fork lift with inbuilt hand pump.
- Adjustable width over fork.
- Driving axle on self-lubricating bearings.
- Wheels fitted onto sealed bearings.
- Pneumatic tyres.
- Easy handling.
- Minimal pulling / lifting effort.
- Optional parking brake.



CAPACITY 1100kg

BUILT FOR ROUGH TERRAIN!
HANDLES LIKE A STANDARD PALLET TRUCK!



1KG=2.2LB 1INCH=25.4MM

Model		NPT10-1	NPT10-2
Rated Capacity	kg	1100	1100
Length of Fork *1	LP	800	800
Width of Straddle (Interior)	D	1040	1210
Width of Straddle (Exterior)	B	1300	1470
Weight	kg	140	148
Radius	degree	180°	180°
Handle Wheels	mm	270	270
Load Wheels	mm	437	437

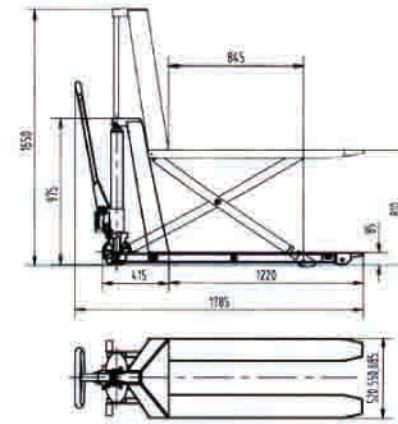
High Lift Pallet Truck NPH Series

- The manual high lift pallet truck offers the user an efficient and versatile tool for material handling.
- Improved safety: automatic activation of self adjusting stabilizers when lifting loads higher than 400 mm for maximum stability and optimum braking.
- Greater stability: Extra long front legs increase the stability when handling unevenly loaded pallets.
- Quick-lift operation: Quick-lift function doubles the lifting speed when lifting loads less than 250kg.
- Easy maneuvering of loads throughout work place.
- Easy placing of load to correct ergonomic work height.

1KG=2.2LB 1INCH=25.4MM

Model		NPH1000	NPH1500	NPH1000(N)
Capacity	kg	1000	1500	1000
Total lift height	mm	800	800	800
Lowered fork height	mm	85	85	85
Size of fork	mm	162x50	162x50	162x50
Fork length*	mm	1150	1150	1150
Width over the forks	mm	520/550/685	520/550/685	520/680
Height of handleless	mm	975	1050	975
Steering wheel	mm	Ø150x50	Ø150x50	Ø180x50
Fork wheel	mm	Ø74x50	Ø74x50	Ø74x50
Truck weight	kg	112	125	133
pcs/20" container	pcs	88	88	72

1, Fork length can be changing with special requirements.
2, NPH1000(N) is one-cylinder-system.



Foot pedal for quick lifting (optional)



Parking Brake (optional)



Standard handle



Ergonomic handle



Stainless High Lift Scissor Truck NPHS Series

- All parts are made of stainless including hydraulic pump, fork frame, handle, push rod, bearing, pin and bolts, etc.
- For use in meat and other food industry, dairy canning and all areas where corrosive acids and saline solutions are used.
- Manual nut is equipped with quick function.
- Double Pistons.
- Conforms to CE safety standard.
- Conforms to EN 1757-4.

1KG=2.2LB 1INCH=25.4MM

Model		NPHS1000M	NPHS1000E
Capacity	kg	1000	1000
Fork width	W	540/680	540/680
Fork Length	L	1150/1500	1150/1500
Min. Fork Height	H	85	85
Max. Fork Height	mm	800	800
Front Wheel	mm	PU/Nylon Ø78x60	
Rear Wheel	mm	PU/Nylon Ø200x50	
Weight	kg	110~125	140~155

1, 1500kg is available.
2, NPHS1000E with charger: 110V/230V 10A.

