



Semi-electric Stacker SPN Series

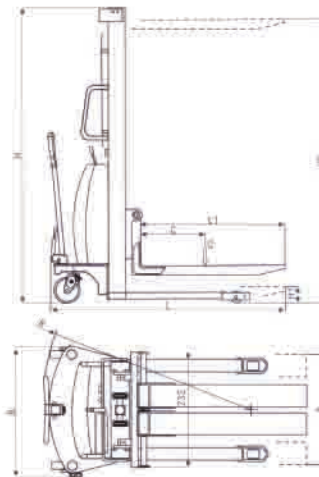
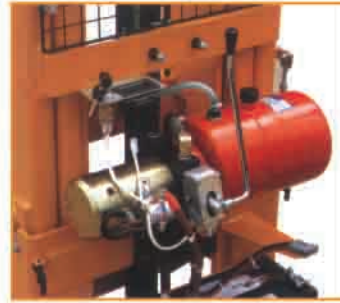
- Much lighter, easier to handle, with German steel but insure enough stability and intensity.
- Strong robust and classical design.
- The fluent outline make it stand out from traditional stackers.
- Made of high quality steel to ensure stability and strength.
- Durable and serviceable
- Coated with backed-paint layer, it is corrosion-resisting and durable.
- Foot operated parking brake.
- Conforms to EN 1757-1:2001, EN1727.



SPN-10/15/20 ↑



Wide Straddle leg is available



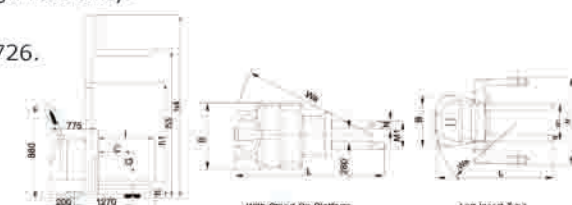
1KG=2.2LB 1INCH=25.4MM

Model			SPN-10	SPN-15	SPN-20	SPN-W(with straddle leg)
Capacity	Q	kg	1000	1500	2000	1000/1500/2000
Lifting height	H2	mm	1600/2500/3000/3500	1600/2500/3000/3500	1600/2000	1600/2500/3000/3500
Fork Length	L1	mm	900/1100	900/1100	900/1100	900/1100
Fork Width	E	mm	330-640/550	330-640/550	330-640/550	230-790(Adjustable)
Min. Turning Radius	R	mm	1280	1280	1280	1360
Overall Length	L	mm	1600	1600	1600	1674
Overall Width	B	mm	710	710	710	1502
Overall height	H	mm	2100/1800/2100/2350	2100/1800/2100/2350	2100/1580	2090/1800/2000/2225
Battery	V/Ah		12/150	12/150	12/150	12/150
Min. Height of Forks	H1	mm	85	85	85	65
Net Weight	kg		330/370/385/400	340/381/396/412	351/380	482/552/582/592



Full Electric Stacker CDD Series

- Heavy duty rang for tough application, "C" style mast material, standard basic type.
- Capacity : 1.2-1.5 ton.
- Max. Lifting Height : 1.6-3.3 m.
- Designed for stacking palletes on trucks and transporting goods for short distance.
- Imported electric control system and hydraulic unit.
- Steady and flexible operation.
- Low noise, no pollution and high reliability.
- International typical style.
- Conforms to EN 1751-1, EN 1726.



CDD1-T with platform ↑



CDD-T with platform ↑



CDD-T with platform and handrail ↑



CDD-W with wide straddle leg ↑



CDD Standard ↑

Model HA240 handle (without key) is option



Model HA230 handle (Germany REMA) is option



Model			CDD1.2					CDD1.5				
Standard (CDD)			CDD1.2/16	CDD1.2/24	CDD1.2/29	CDD1.2/31	CDD1.2/33	CDD1.5/16	CDD1.5/24	CDD1.5/29	CDD1.5/31	CDD1.5/33
With Stand-On Platform (CDD-T)			CDD1.2/16T	CDD1.2/24T	CDD1.2/29T	CDD1.2/31T	CDD1.2/33T	CDD1.5/16T	CDD1.5/24T	CDD1.5/29T	CDD1.5/31T	CDD1.5/33T
With wide Straddle Leg (CDD-W)			CDD1.2/16W	CDD1.2/24W	CDD1.2/29W	CDD1.2/31W	CDD1.2/33W	CDD1.5/16W	CDD1.5/24W	CDD1.5/29W	CDD1.5/31W	CDD1.5/33W
Capacity	G	kg	1200					1500				
Load Center	C	CDD,CDD-T						600				
		CDD-W						500				
Min. Height of Forks		CDD,CDD-T						90				
		CDD-W						65				
Max. Lifting Height	h3	mm	1600	2450	2900	3100	3300	1600	2450	2900	3100	3300
Max. Height of Stacker	h4	mm	2244	3094	3544	3744	3944	2244	3094	3544	3744	3944
Height of Stacker	h1	CDD,CDD-T	2090	1800	2025	2125	2225	2090	1800	2025	2125	2225
		CDD-W	2166	1876	2101	2201	2301	2166	1876	2101	2201	2301
Length of Stacker	L	CDD						1930				
		CDD-T						2424				
		CDD-W						1792				
Fork Length		CDD,CDD-T						1150 (Steel plate fork)				
		CDD-W						1000 (Forged plate fork)				
Fork Width	M1	CDD,CDD-T						540				
		CDD-W						230~830 (Adjustable)				
Single Fork Width	N	CDD,CDD-T						160				
		CDD-W						100				
Width of Stacker	B	CDD,CDD-T						940				
		CDD-W						1080				
Overall width of legs	M	CDD,CDD-T						700				
		CDD-W						1197~1502 (Adjustable)				
Min. Turning Radius	Wa	CDD	1525	1525	1525	1525	1525	1540	1540	1540	1540	1540
		CDD-T						2000 (1540 if without Stand-on Platform) Platform size: 480x450mm				
		CDD-W	1533	1533	1533	1533	1533	1548	1548	1548	1548	1548
Battery		Ah/V						240/24V 200Kg				
Battery Charger		V/A						24/20 (24/30 is option)				
Double front wheel		mm						Ø78x70				
Balance wheel		mm						Ø150x75				
Drive wheel		mm						Ø250x80				
Traveling speed (Loaded/Unloaded)		km/h						4.8/5.5				
Lifting Speed (Loaded/Unloaded)		mm/s						150/65				
Drive Motor		Kw/V						1.2/24				
Lifting Motor		Kw/v						2.2/24				
Net Weight (without battery)		CDD	614	670	692	705	713	620	677	699	712	720
		CDD-T	624	680	702	715	724	624	680	702	715	724
		CDD-W	820	885	895	905	910	820	885	895	905	910