

■ Shock absorber



■ Slider



■ Micro switch



■ Safety belt



■ Angle regulator



■ Handrails







- Applications for Forklift truck and Engineering Machines.
- Innovation, Environment protect, Comfort and Durability.
- CE certificate and ISO/TS16940 audit and verification.
- Easily exchanged for serviceability.
- High level of workmanship and high quality materials.

SINOLIFT MATERIAL HANDLING EQUIPMENT CORP.

ADD: 2477 Dachuan Road, Nanhui Industry Park, Shanghai 201300, P.R. China

TEL: +86 21 68014500 / +86 21 58003681

FAX: +86 21 68014262 / +86 21 68038190

EMAIL: info@sinolift.com

WEB: www.sinolift.com





SC1

Vinyl

Product Features

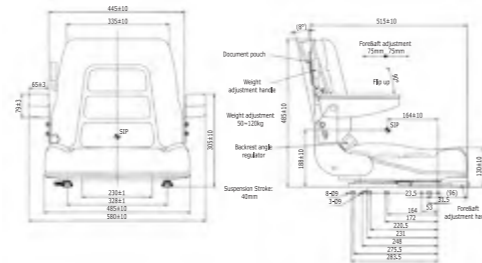
SC1 are driver saddles specially designed for forklift trucks and other industrial vehicles. The combination of the chassis' shock absorbers and the structure of the shock absorbers will reduce perniciousness, vibration more effectively and lessen feelings of fatigueless. Therefore leading to safe operation. The cushions and the backing cushions are both manufactured by employing vacuum foaming and forming techniques. They also can be unpacked and changed flexibly according to your needs.

Technical Features

- The adjustable distance from the front to the back is 150mm, its adjustable space is 15mm.
- The step-less adjustable range of the backing cushions' angle is 15°.
- The shock absorbers can be adjusted between 50-120Kg according to human bodies weight.
- The structure of the shock absorbers can be triply-adjusted.
- Semi Suspension integrated in backrest.
- Low profile for limited working space.

Accessories for Your Choice

- Outside materials: PVC, Vinyl or Cloth is optional.
- Adjustable handrails
- Safety belt
- Micro Switch



SC1A

Fabric



SC2

Product Features

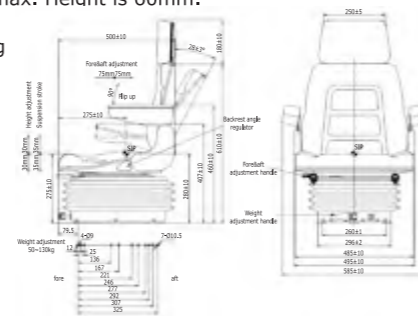
SC2 are driver saddles specially designed for forklift trucks and other industrial vehicles. The combination of chassis' shock absorbers and the structure of the shock absorbers will reduce pernicious vibration more effectively and lessen feelings of fatigueless, therefore leading to safe operation. The cushions and the backing cushions are both manufactured by employing vacuum foaming and forming techniques. They also can be unpacked and changed flexibly according to your needs.

Technical Features

- The adjustable distance from the front to the back is 150mm, its adjustable sauce is 15mm.
- The step-less adjustable range of the backing cushions' angle is 27.5°.
- Seat height adjustable scope is divided into 3 steps. Its max. Height is 60mm.
- The suspended vibration-absorption device may execute step-less adjustment as per human weight between 50Kg and 130Kg.
- The cushion shock-abortion mechanism is divided into 3-stage regulation.
- The suspended descalating device travel is 100mm.
- Outer cover material: black PVC

Accessories for You Choice

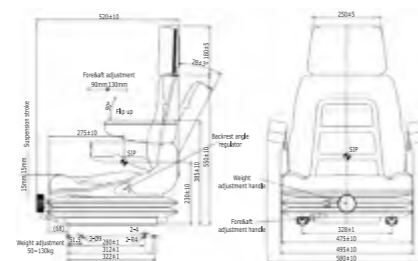
- Adjustable handrails
- Safety belt



SC2-13

Application Sectors

- Engineering Machines
- Forklift
- Agricultural Machine
- Horticultural Machine



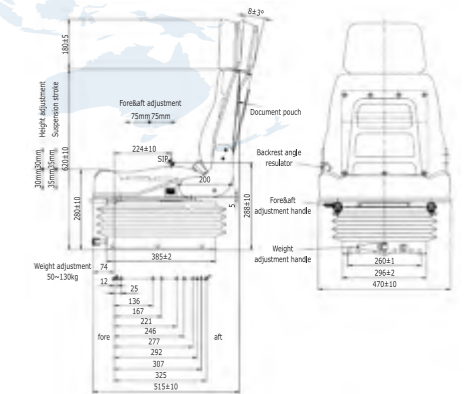
SC2-6

Technical Features

- Fore/aft adjustment: 150mm.
- The adjusting angle for the backrest: 27.5° and can fold forwardly.
- Weight adjustment: 50-130kg.
- Suspension Travel: 100mm.
- Outside material: black PVC.

Optional Accessories

- Armrest
- Safety Belt
- Turning Mechanism
- Headrest
- Micro Switch



SC3

Product Features

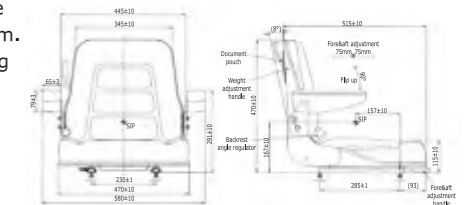
SC3 type is an economical drive's seat specially designed for forklift trucks and other industrial vehicles. The cushions and the backing cushions are both manufactured by employing vacuum foaming and forming techniques. The also can be unpacked and changed flexibly according to your needs.

Technical Features

- The adjustable distance from the front to the back is 150mm. Its adjustable space is 15mm.
- The step-less adjustable range of the backing cushion's angle is 15°.

Accessories for Your Choice

- Adjustable handrails
- Safety belt
- Micro switch



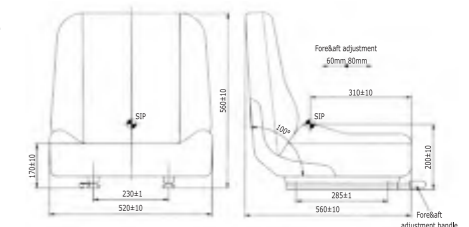
SC4

Product features

SC4 type seat is specially designed for forklift trucks. The adjustable distance from the front to the back is 150mm.

Technical Features

- Fore/aft adjustment: 150mm, each step: 15mm
- Backrest angle ajustment: 45°
- Outside material: PVC



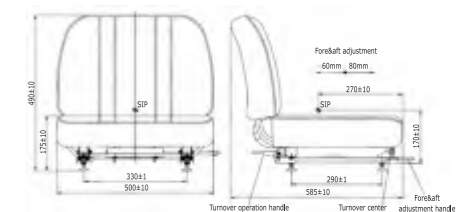
SC13A

Product Features

SC13A type seat is specially designed for forklift trucks, the adjustable distance from the front to the back is 150mm.

Technical Features

- Fore/aft. Adjustment: 150mm
- Backrest angle adjustment: 45°
- Outside material: PVC, Vinyl or cloth





SC5B

Product Features

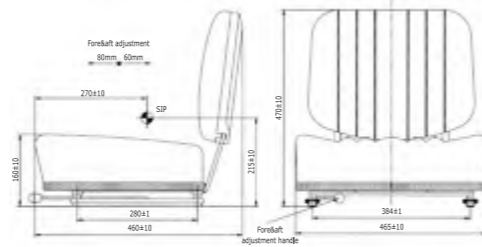
Model SC5 is driver seat specially designed for forklift etc. engineering mechanical vehicles. The cushion and backrest are both manufactured by employing freeze vacuum foaming and forming techniques. They also can be unpacked and changed flexibly according to you needs. It can adjusted fore/aft. and install the safety be if you want.

Technical Features

- Outlook measure: 500×465×475mm
- Net weight: 11kg(the steel cushion) 9.5kg(the wood cushion)
- Fore/aft. Adjustable scope:100mm

Accessories for Your Choice

- Safety belt



SC6

Product Features

Model SC6 is economic driver seat specially designed for forklift etc. engineering mechanical vehicles. It can adjusted fore/aft., the instruction is simple and reliable.

Technical Features

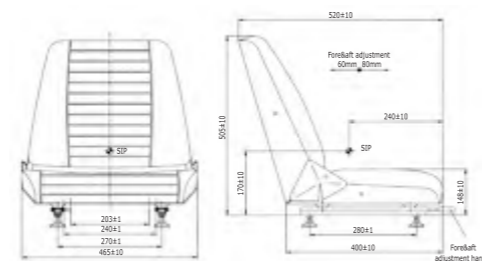
- Outlook message: 530×455×480mm.
- Net weight: 8.3Kg.
- Fore/aft. adjustable scope: 150mm.

Using Way

The fore/aft. adjustable handrail is turned up, then move the seat fore/aft., at last arrive a good position, take out the handrail, the power lock automated.

Accessories for Your Choice

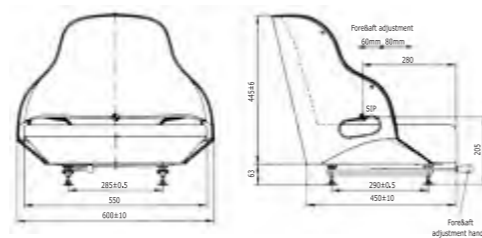
- Safety belt



SC6-1

Product Features

- Integral one piece foam and PVC trim.
- Waterproof with holes for drainage.
- Mounting holes made to customer requirements.
- Slide rails installed to customer requirements.



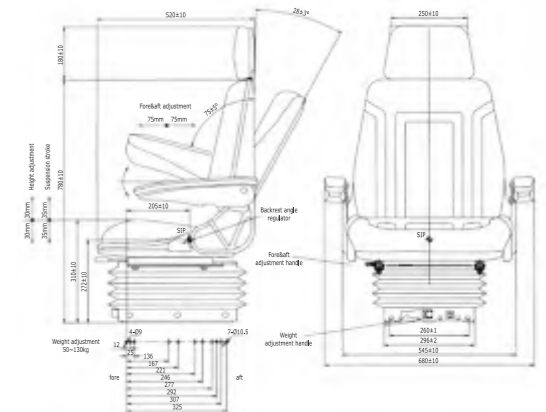
SC7

Technical Features

- Fore/aft. adjustment: 150mm
- Height adjustment: 60mm
- Weight adjustment: 50-130kg
- Backrest adjustment: 28° and can fold forwardly
- Suspension travel: 90mm
- Outside material: black PVC or cloth

Optional Accessories

- Armrest
- Safety Belt
- Headrest



Product Features

Model SC8 is driver specially designed for forklift etc. engineering mechanical vehicles. It can adjusted fore/aft., the backrest can furred forward and the seat can reversal forward.

Technical Features

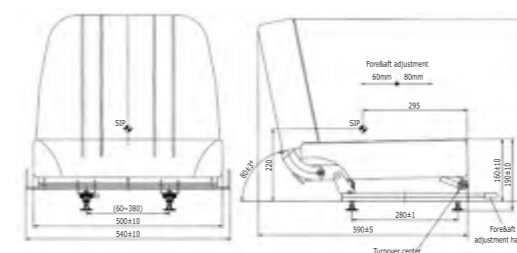
- Outlook: 555×540×500mm
- Net weight: 8.3Kg
- Fore/aft. adjustable scope: 150mm

Using Way

- The fore/aft. adjustable handrail is turned inside, then move the seat fore/aft., at last arrive a good position, take out the handrail, the power lock automated.
- Turn the top of backrest forward, the backrest can furred forward. turn the bottom of seat, the seat can reversal forward.

Accessories for Your Choice

- Safety belt



SC8



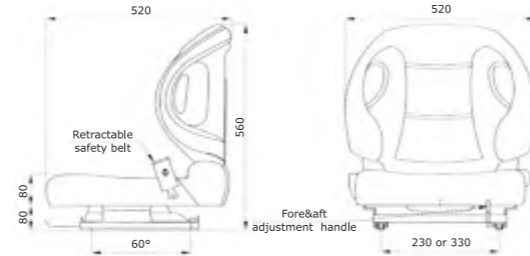
BF2-1

Technical Features

- Fore/Aft. Adjustment: 175mm
- Safety Belt
- Document bag on backrest.
- Outside Material: PVC
- Popular mounting size: Side to side x front to back: (228-230mm) x (280-290mm) or (328-330mm) x (280-290mm)

Optional Accessories

- Retractable Safety belt
- Micro Switch



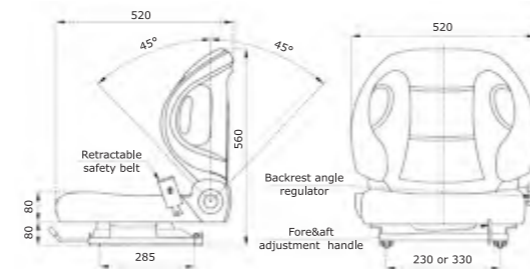
BF2-2

Technical Features

- Fore/Aft. Adjustment: 175mm
- Backrest angle adjustment: -51° to +91°
- Weight adjustment: 40-120kg
- Suspension Travel: 48mm
- Retractable Safety Belt
- Document bag on backrest
- Outside Material: PVC
- Popular mounting size: Side to side x front to back: (228-230mm) x (280-290mm) or (328-330mm) x (280-290mm)

Optional Accessories

- Micro Switch.



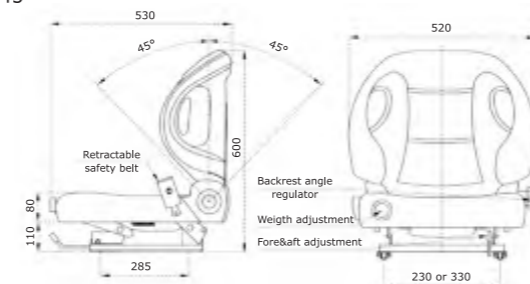
BF2-3

Technical Features

- Fore/Aft. Sliding rail Adjustment: 150mm
- Backrest angle adjustment: -45° to +45°
- Retractable Safety Belt
- Document bag on backrest
- Outside Material: PVC
- Mechanical suspension integrated in cushion
- Popular mounting size: Side to side x front to back: (228-230) x (280-290) or (328-330) x (280-290)mm

Optional Accessories

- Micro Switch



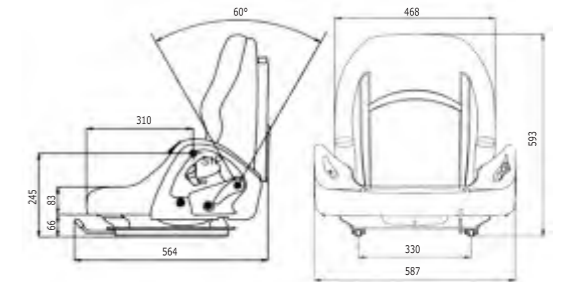
BF5-2

Technical Features

- Fore/aft. sliding rail adjustment: 150mm.
- Backrest angle adjustment: -60° to +60°
- Retractable safety belt.
- Document bag on backrest.
- Outside material: PVC
- Universal mounting design.

Optional Accessories

- Micro switch.



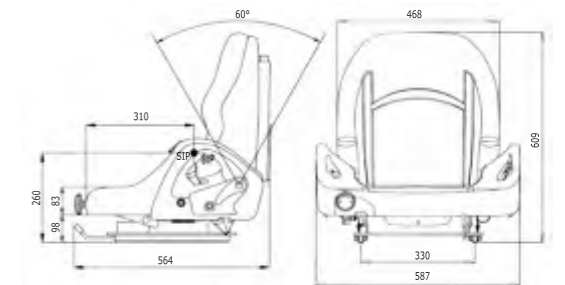
BF5-3

Technical Features

- Fore/aft. sliding rail adjustment: 150mm.
- Backrest angle adjustment: -60° to +60°
- Retractable safety belt.
- Document bag on backrest.
- Outside material: PVC
- Mechanical suspension integrated in cushion.
- Damper inside.
- Universal mounting design.

Optional Accessories

- Micro switch.
- Dust-proof mantle.

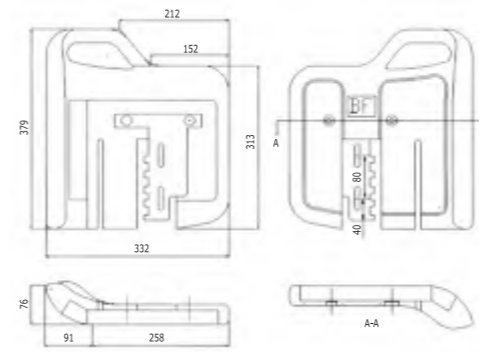




BFC3

Product Features

BSC3 series seats are used for warehouse equipments such as reach truck, stacker and order pickers.

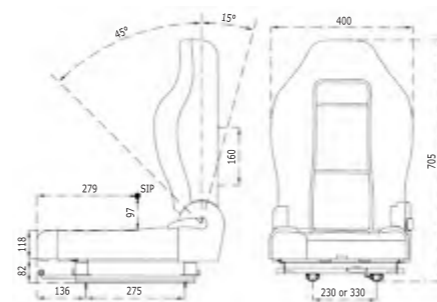


Technical Features

- Fore/aft. sliding rail adjustment: 150mm
- Backrest angle adjustment: -60° to +60°
- Document bag on backrest.
- Outside material: PVC or Fabric
- Popular mounting size (side to side): 230mm or 330mm

Optional Accessories

- Micro switch.
- Safety belt.

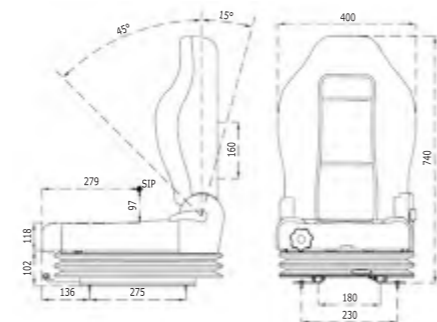


Technical Features

- Fore/aft. sliding rail adjustment: 150mm
- Backrest angle adjustment: -60° to +60°
- Document bag on backrest.
- Outside material: PVC or Fabric
- Popular mounting size (side to side): 230mm or 330mm
- Damper inside the bottom of the seat, the weight adjustment: 4~150kgs

Optional Accessories

- Micro switch
- Safety belt



BF6-2

PVC

Fabric



BF6-3

PVC

Fabric



BSC24

Product Features

Premium low profile seat ergonomically designed to significantly reduce vibration experienced during use of compact construction, material handling or turf equipment.

Technical Features

- Fore/aft. sliding rail adjustment: 150mm
- Backrest angle adjustment: -30° to +30°
- Weight adjustment (mechanical): 50-130kg
- Suspension stroke: 60mm.
- Vertical height of SIP: 190mm.

Optional Accessories

- Safety Belt
- Armrest
- Headrest
- OPS (Operator presence switch)
- Lumbar support



BSC25

Technical Features

- Fore/Aft. Sliding rail Adjustment: 200mm
- Backrest angle adjustment: -23° to +23°
- Weight adjustment: 50-130kg
- Suspension stroke: 60mm
- Vertical height of SIP: 235mm

Optional Accessories

- Safety belt
- Armrest
- Headrest
- OPS (Operator presence switch)
- Lumbar support



BSC26

Technical Features

- Fore/aft. sliding rail adjustment: 150mm
- Height adjustment: 60mm
- Backrest angle adjustment: -28° to +28°
- Weight adjustment: 50-130kg
- Suspension stroke: 70mm
- Vertical height of SIP: 230mm

Optional Accessories

- Safety belt
- Armrest
- Headrest
- OPS (Operator presence switch)
- Lumbar support